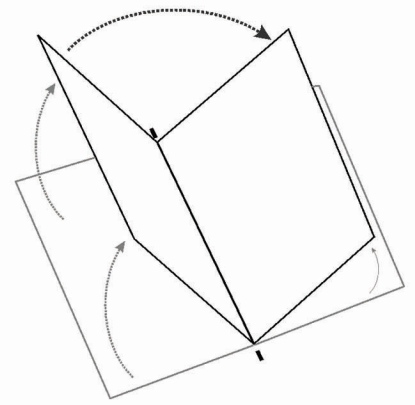




MARIO PARTY™ & © 2004 - 2005 NINTENDO. © 2004 - 2005 HUDSON SOFT.  
TM. © AND THE NINTENDO GAMECUBE LOGO ARE TRADEMARKS OF NINTENDO.  
TM. © ET LE LOGO NINTENDO GAMECUBE SONT DES MARQUES DE NINTENDO.  
© 2005 NINTENDO.

Nintendo

MARIO PARTY 6



MARIO PARTY 6

NINTENDO GAMECUBE™

Nintendo